

## 2.1 Practice B

**Multiply. Write the answer in simplest form.**

1.  $\frac{1}{6} \times \frac{5}{9}$

2.  $\frac{2}{5} \times \frac{7}{8}$

3.  $\frac{6}{7} \times \frac{2}{9}$

4.  $18 \times \frac{5}{6}$

5.  $\frac{5}{24} \times \frac{8}{15}$

6.  $\frac{16}{7} \times \frac{21}{8}$

7. Describe and correct the error in finding the product.

$$\times \frac{5}{6} \times \frac{5}{6} = \frac{5 \times 5}{6} = \frac{25}{6} = 4\frac{1}{6}$$

8. One-half of your CDs are scratched. Of those, one-fifth will not play properly. You have 40 CDs. How many of them will not play properly?

**Multiply. Write the answer in simplest form.**

9.  $2\frac{11}{12} \times \frac{2}{5}$

10.  $1\frac{3}{4} \times \frac{20}{21}$

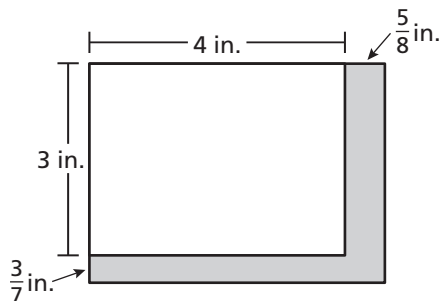
11.  $4\frac{9}{10} \times 1\frac{1}{7}$

12.  $28 \times 8\frac{2}{7}$

13.  $5\frac{5}{12} \times 2\frac{2}{5}$

14.  $8\frac{1}{3} \times 4\frac{1}{2}$

15. Find the area of the shaded region. Explain how you found the area.



**Multiply. Write the answer in simplest form.**

16.  $\frac{1}{4} \times \frac{5}{8} \times \frac{16}{25}$

17.  $\left(\frac{2}{7}\right)^3$

18.  $\left(\frac{5}{7}\right)^2 \times \left(\frac{3}{5}\right)^2$

19.  $\frac{3}{5} \times 6\frac{3}{4} \times 2\frac{2}{9}$

20.  $1\frac{7}{8} \times 12 \times 3\frac{2}{3}$

21.  $4\frac{1}{6} \times 2\frac{2}{7} \times 7\frac{1}{5}$